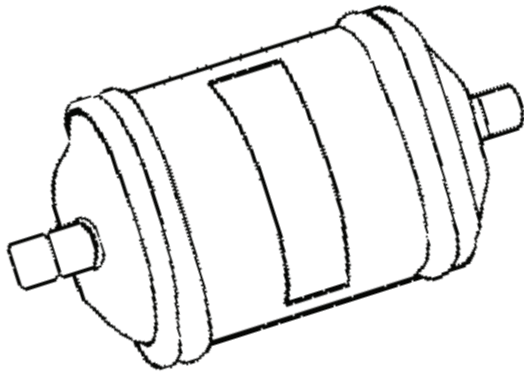


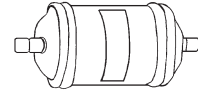
Bi-Flow Filter Drier

Installation Instructions



①

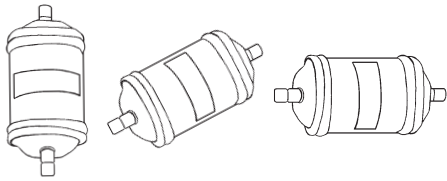
R-11
R-12
R-22
R-113
R-114
R-115
R-123
R-124
R-125
R-134a
R-401A



R-401B
R-402A
R-402B
R-404A
R-407A
R-407B
R-407C
R-410A
R-500
R-502
R-507

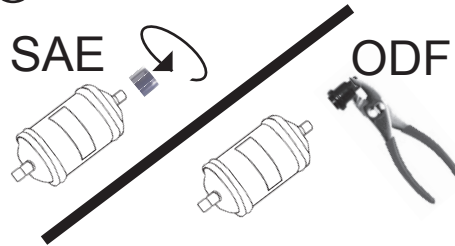
Refrigerant Compatibility
Compatibilidad con Refrigerantes
Compatibilidade do Refrigerante
Compatibilité du réfrigérant
冷媒適合性
냉매 호환성
冷媒兼容性

②



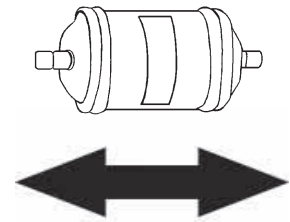
All Positions OK
Todas las Posiciones OK
Todas as Posições São Possíveis
Toute position OK
取付姿勢の制約無し
잘 설치 되었음
所有位置皆可

③



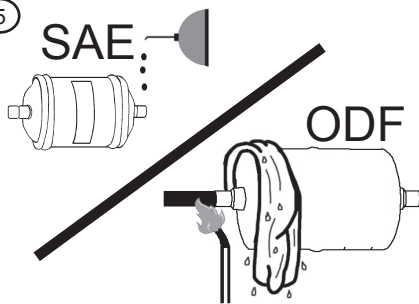
Remove Seals
Remueva los Empaques
Remova os Tampões
Enlever les capuchons
シールを外す
봉인을 제거
拿去密封端盖

④



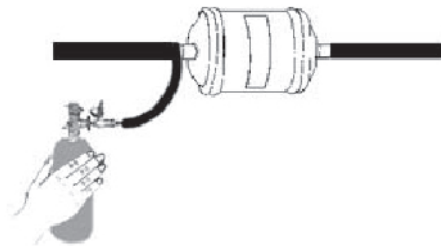
Flow Follows Arrow
El Flujo sigue la Flecha
Barra Indica Posição do Fluido
L'écoulement doit suivre la flèche
矢印方向に冷媒流
회살표방향으로 흐름
流向箭头

⑤



Installation Precautions
Precauciones de Instalación
Precauções na Instalação
Précautions d'insatallation
取付時の注意
설치시 주의점
安装注意事项

⑥



Pressurize And Check For Leaks
Presurize y Verifique si existen Fugas
Pressurize e Verifique Vazamentos
Pressuriser et vérifier pour les fuites
圧力をかけて漏れを検査
압력을 가하여 누설을 점검
增压及检查泄漏



Emerson Climate Technologies and the Emerson Climate Technologies logo are trademarks and service marks of Emerson Electric Co.
© 2004 Emerson Electric Co.